

Ex Sounders 110 dB(A) BExS 110 d/e, BExDS 110 d/e



- 32 different tones can be set; UKOOA/PFEER conform
- 110/117 dB (A) ± 3 dB (A) sound pressure
- 3 externally selectable tones – positive and negative control possible in the case of DC devices
- quartz-stabilised tone synchronisation
- adjustable volume (except 12 V DC)
- ATEX and optionally IECEx approval
- housing made of die-cast aluminium LM6, horn made of ABS
- stainless steel mounting bracket for 360° positioning
- categories 2G and 3G (Zones 1 and 2)
- also available as categories 2D & 3D (Zones 21 & 22) for dust zones
- amendment 2; extended approval/temperature range + 70 °C

--	--	--	--	--

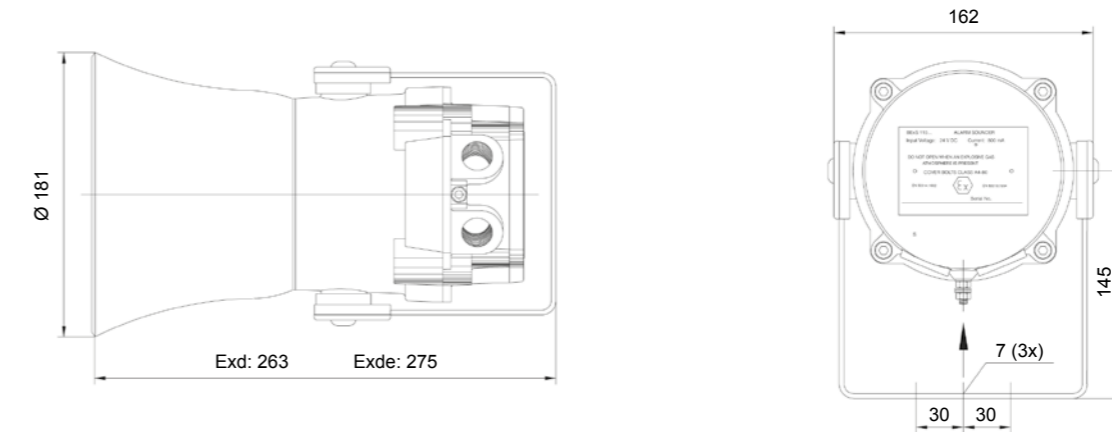
Electrical data	BExS 110 d/e / BExDS 110 d/e				
Rated voltage	230 V AC	115 V AC	48 V DC	24 V DC	12 V DC
Rated frequency	50 / 60 Hz	50 / 60 Hz			
Operating range	± 10%	± 10%	± 25%	± 25%	± 25%
Nominal current consumption	56 mA	110 mA	130 mA	250 mA	195 mA

Mechanical data	BExS 110 d/e	BExDS 110 d/e
Protection system	"d" = IP 67; or "e" = IP 66	
Explosion protection	II 2G Ex d IIC T4 / II 2G Ex de IIC T4 II 2G Ex d IIB T4 / II 2G Ex de IIB T4	II 2G/D Ex d IIC T4 100°C / II 2G/D Ex de IIC T4 100°C II 2G/D Ex d IIB T4 115°C / II 2G/D Ex de IIB T4 115°C
Category (area of use)	2G (Zone 1) 3G (Zone 2)	2G (Zone 1) / 2D (Zone 21) 3G (Zone 2) / 3D (Zone 22)
Certificate of conformity	KEMA 99 ATEX 7906	KEMA 99 ATEX 6312
Testing body	KEMA	KEMA
Sound pressure level	110 dB (A) ± 3 dB (A)	110 dB (A) ± 3 dB (A)
Temperature class T	IIC: T4 @ - 50 °C ... + 55 °C Ta IIB: T4 @ - 50 °C ... + 70 °C Ta	T4 @ - 50 °C ... + 55 °C Ta
Storage temperature	- 50 °C ... + 70 °C	
Relative humidity	90%	
Duty cycle	100%	
Material	housing: die-cast aluminium LM6, similar to RAL 3000 (flame red) horn: ABS self-extinguishing, similar UL 94 VO & 5VA FR ABS, Ex II 2D anti-static ABS, black	
Connecting terminals	Exd: 1 x 4 mm ² or 2 x 2.5 mm ² Exde: 2 x 2.5 mm ²	
Cable entry	2 / 1 x closed, 1 x open (M20), optionally PG13.5 or 1/2" NPT	
Weight	Exd: AC: 3.42 kg / DC: 3.16 kg Exde: AC: 3.68 kg / DC: 3.42 kg	

Options / Accessories

		Exd BExDS
--	--	--------------

Dimensions



Tone table

Tone	Description - Basic tone	Stage		Tone	Description - Basic tone	Stage	
		2	3			2	3
1	Continuous tone	1000 Hz	31 11	18	Interrupted tone, Sweden SS031711 (air raid warning)	660 Hz	2 5
2	Alternating tone, UK BS5839-1 (fire alarm, railway crossing)	1000 Hz / 800 Hz	17 5	19	Sweeping, France NFC48-265	1600 Hz / 1400 Hz	2 5
3	Slow whoop	1200 Hz / 500 Hz	2 5	20	Continuous tone, Sweden SS031711 (all-clear signal)	660 Hz	2 5
4	Sweeping (fast)	1000 Hz / 800 Hz	6 5	21	Alternating tone	554 Hz / 440 Hz	2 5
5	Continuous tone	2400 Hz	3 27	22	Interrupted tone	544 Hz	2 5
6	Sweeping	2900 Hz / 2400 Hz	7 5	23	Interrupted tone	800 Hz	6 5
7	Sweeping (fast)	2900 Hz / 2400 Hz	10 5	24	Sweeping (medium), UK BS5839-1	1000 Hz / 800 Hz	29 5
8	Sweeping	1200 Hz / 500 Hz	2 5	25	Sweeping	2900 Hz / 2400 Hz	29 5
9	Sawtooth, DIN tone 33404-3 Germany (emergency signal), PFEER PTAP	1200 Hz / 500 Hz	15 2	26	Simulated bell	1450 Hz	2 1
10	Alternating tone	2900 Hz / 2400 Hz	7 5	27	Continuous tone	554 Hz	26 5
11	Interrupted tone	1000 Hz	31 1	28	Continuous tone	440 Hz	2 5
12	Alternating tone	1000 Hz / 800 Hz	4 5	29	Sweeping (fast), UK BS5839-1	1000 Hz / 800 Hz	7 5
13	Interrupted tone	2400 Hz	15 5	30	Interrupted tone, Australia AS2220, AS1610, AS1670	420 Hz	32 5
14	Interrupted tone	800 Hz	4 5	31	Sweeping, IMO 3d, Germany KTA3901 evacuation alarm	1200 Hz / 500 Hz	11 1
15	Continuous tone	800 Hz	2 5	32	Slow whoop, Australian evacuation alarm AS2220	1200 Hz / 500 Hz	26 1
16	Interrupted tone	554 Hz / 440 Hz	18 5				
17	Alternating tone, France NFS 32-001 (fire alarm)	660 Hz	2 27				

The sounder can be set externally to the respective tones of stage 2 & 3. Tone 2 is preset.

Ordering details

Article numbers	BExS 110D		BExS 110E		BExDS 110D	BExDS 110E
Rated voltage	230 V AC	24 V DC	230 V AC	24 V DC	230 V AC	230 V AC
	320 80 10 0 000	320 80 80 0 000	320 82 10 0 000	320 82 80 0 000	320 75 10 0 000	320 85 10 0 000

Article numbers for other voltages on request

Ex Sounders 117 dB(A) BExS 120 d/e, BExDS 120 d/e



- 32 different tones can be set; UKOOA/PFEER conform
- 117 dB (A) ± 3 dB (A) sound pressure
- 3 externally selectable tones – positive and negative control possible in the case of DC devices
- quartz-stabilised tone synchronisation
- adjustable volume (except 12 V DC)
- ATEX and optionally IECEx approval
- housing made of die-cast aluminium LM6, horn made of ABS
- stainless steel mounting bracket for 360° positioning
- categories 2G and 3G (Zones 1 and 2)
- also available as categories 2D & 3D (Zones 21 & 22) for dust zones
- amendment 2; extended approval/temperature range + 70 °C

	IP 66 IP 67	+ 70 °C - 50 °C	EN 54-3	VdS G209081
max. covering distance	Protection system	Operating temperature	Exd 24 V DC	Exd 24 V DC

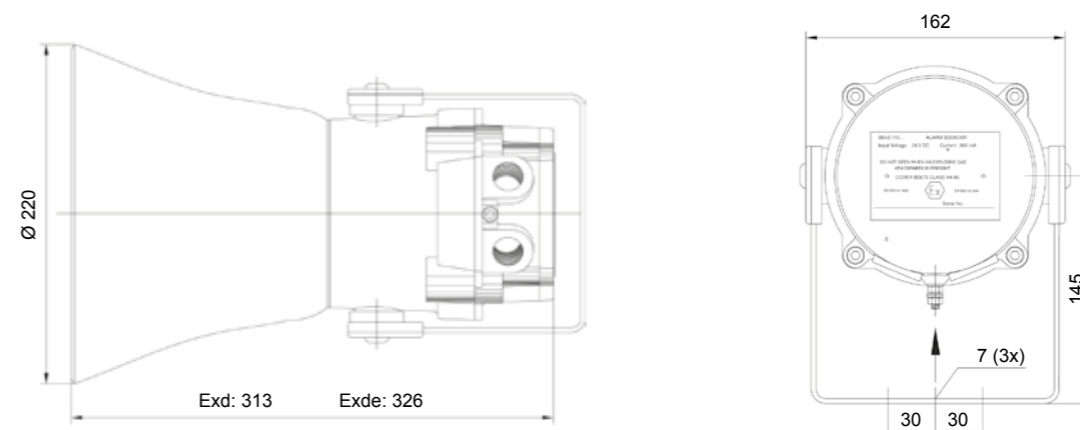
Electrical data	BExS 120 d/e / BExDS 120 d/e				
Rated voltage	230 V AC	115 V AC	48 V DC	24 V DC	12 V DC
Rated frequency	50 / 60 Hz	50 / 60 Hz			
Operating range	± 10%	± 10%	± 25%	± 25%	± 25%
Nominal current consumption	90 mA	180 mA	420 mA	800 mA	850 mA

Mechanical data	BExS 120 d/e	BExDS 120 d/e
Protection system	"d" = IP 67; or "e" = IP 66	
Explosion protection	II 2G Ex d IIC T4 / II 2G Ex de IIC T4 II 2G Ex d IIB T4 / II 2G Ex de IIB T4	II 2G/D Ex d IIC T4 100°C / II 2G/D Ex de IIC T4 100°C II 2G/D Ex d IIB T4 115°C / II 2G/D Ex de IIB T4 115°C
Category (area of use)	2G (Zone 1) 3G (Zone 2)	2G (Zone 1) / 2D (Zone 21) 3G (Zone 2) / 3D (Zone 22)
Certificate of conformity	KEMA 99 ATEX 7906	KEMA 99 ATEX 6312
Testing body	KEMA	KEMA
Sound pressure level	117 dB (A) ± 3 dB (A)	117 dB (A) ± 3 dB (A)
Temperature class T	IIC: T4 @ - 50 °C ... + 55 °C Ta IIB: T4 @ - 50 °C ... + 70 °C Ta	T4 @ - 50 °C ... + 55 °C Ta
Sound level reduction	by - 9 dB	
Storage temperature	- 50 °C ... + 70 °C	
Relative humidity	90%	
Duty cycle	100%	
Material	housing: die-cast aluminium LM6, similar to RAL 3000 (flame red) horn: ABS self-extinguishing, similar UL 94 VO & 5VA FR ABS, Ex II 2D anti-static ABS, black	
Connecting terminals	Exd: 1 x 4 mm ² or 2 x 2.5 mm ² Exde: 2 x 2.5 mm ²	
Cable entry	2 / 1 x closed, 1 x open (M20), optionally PG13.5 or 1/2" NPT	
Weight	Exd: AC: 3.88 kg / DC: 3.42 kg Exde: AC: 4.14 kg / DC: 3.38 kg	

Options / Accessories

	IECEx No SIM 04.0001	Exd BExDS
--	-----------------------------------	--------------

Dimensions



Tone table

Tone	Description - Basic tone	Stage		Tone	Description - Basic tone	Stage		
		2	3			2	3	
1	Continuous tone	1000 Hz	31	11	18	Interrupted tone, Sweden SS031711 (air raid warning)	2	5
2	Alternating tone, UK BS5839-1 (fire alarm, railway crossing)	1000 Hz / 800 Hz	17	5	19	Sweeping, France NFC48-265	2	5
3	Slow whoop	1200 Hz / 500 Hz	2	5	20	Continuous tone, Sweden SS031711 (all-clear signal)	2	5
4	Sweeping (fast)	1000 Hz / 800 Hz	6	5	21	Alternating tone	2	5
5	Continuous tone	2400 Hz	3	27	22	Interrupted tone	2	5
6	Sweeping	2900 Hz / 2400 Hz	7	5	23	Interrupted tone	6	5
7	Sweeping (fast)	2900 Hz / 2400 Hz	10	5	24	Sweeping (medium), UK BS5839-1	29	5
8	Sweeping	1200 Hz / 500 Hz	2	5	25	Sweeping	29	5
9	Sawtooth, DIN tone 33404-3 Germany (emergency signal), PFEER PTAP	1200 Hz / 500 Hz	15	2	26	Simulated bell	2	1
10	Alternating tone	2900 Hz / 2400 Hz	7	5	27	Continuous tone	26	5
11	Interrupted tone	1000 Hz	31	1	28	Continuous tone	2	5
12	Alternating tone	1000 Hz / 800 Hz	4	5	29	Sweeping (fast), UK BS5839-1	7	5
13	Interrupted tone	2400 Hz	15	5	30	Interrupted tone, Australia AS2220, AS1610, AS1670	32	5
14	Interrupted tone	800 Hz	4	5	31	Sweeping, IMO 3d, Germany KTA3901 evacuation alarm	11	1
15	Continuous tone	800 Hz	2	5	32	Slow whoop, Australian evacuation alarm AS2220	26	1
16	Interrupted tone	554 Hz / 440 Hz	18	5				
17	Alternating tone, France NFS 32-001 (fire alarm)	660 Hz	2	27				

The sounder can be set externally to the respective tones of stage 2 & 3. Tone 2 is preset.

Ordering details

Article numbers	BExS 120D		BExS 120E		BExDS 120D	BExDS 120E
Rated voltage	230 V AC	24 V DC	230 V AC	24 V DC	230 V AC	230 V AC
	320 76 10 0 000	320 76 80 0 000	320 78 10 0 000	320 78 80 0 000	320 89 10 0 000	320 81 10 0 000

Article numbers for other voltages on request